

Teamwork & Teamplay

The Adventure-Based Training Company

The Water Tube

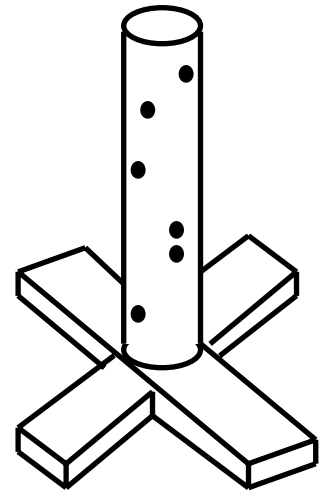
Equipment

A tall PVC tube filled with 15-20 holes of various sizes, and a 2x4 wooden base.

The Challenge

For the group to cooperatively recover the tennis ball, without inverting the tube, using the available resources.

This activity is especially useful if the weather is hot, and is definitely an outdoor activity. Using any available resources (which may include a local source of water, hula hoops, buckets or plastic cups, etc.) the group needs to recover the tennis ball (or other objects) dropped into the bottom of each water tube. Most groups attempt to “float” the ball to the surface, by pouring in water, and plugging the holes with their fingers or hands. The objects dropped to the bottom of the water tubes can represent something of value to participants, such as a good friend, or a reward opportunity for a job well done.

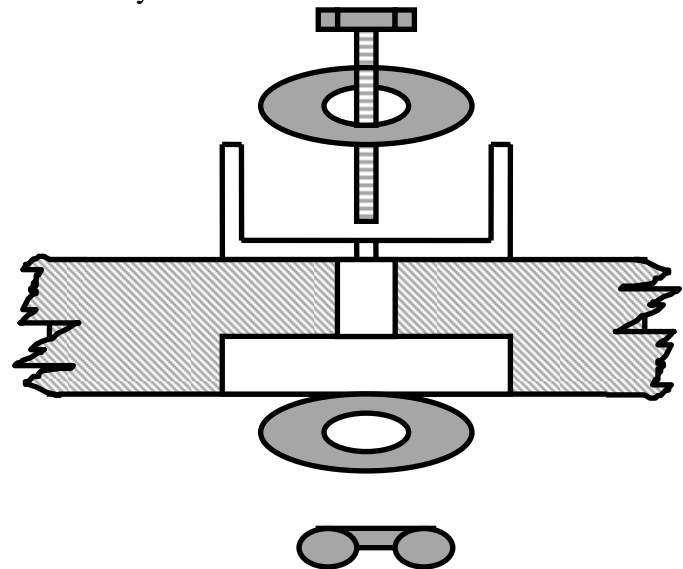


Discussion and Debriefing Topics

“How did you select the role that you would play during this project?” “What other roles did your team members play?” “Which role would you say was the most important?” “What ‘time’ during the activity would you say was the most critical to the success of the activity?”

Assembly Instructions

The water tube’s wooden stand fits neatly into the inside of the PVC tube, along with a few plastic cups and a tennis ball. With both end caps in place, it can be a bit challenging to open the tube. Begin by holding the tube horizontally at ground level and sliding the 2x4 base inside the tube towards one of the plastic end caps, gently tapping it open. Next, remove the 2x4 base, cups and tennis ball, and then gently slide the 2x4 base to the other end of the PVC tube. Then slide out the 2x4 base, unscrew the wing nut, and completely remove the 1/4” bolt and washer. Next put the washer and bolt through the hold in the end cap, through the 2x4 base, through the large washer, and then screw the wing nut back in place. Now insert the PVC tube, and your water tube is ready to go!



Thanks for purchasing this teambuilding prop from Teamwork & Teamplay. You can find out more information about additional teambuilding equipment, books, workshops and staff training programs at our website: www.teamworkandteamplay.com. You can also purchase Jim Cain’s complete series of teambuilding books and other teambuilding equipment from Training Wheels Inc., at www.training-wheels.com or via telephone at 1-888-553-0147.